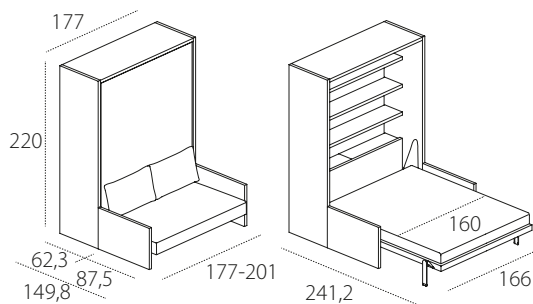




PENELOPE 2 SOFA - P.62,3

Bed base CF09.  
Patent protected

Sofa.  
Patent protected



LETTO +



DIVANO +



TESTATA  
ATTREZZATA +



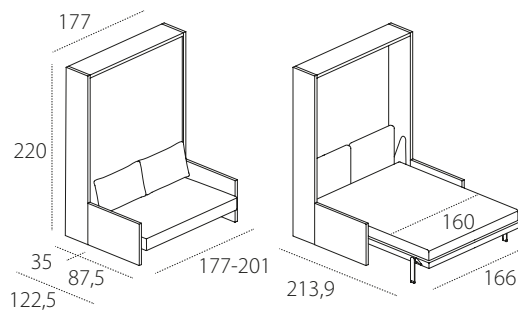
**=** PENELOPE 2  
SOFA - P.62,3



PENELOPE 2 SOFA - P.35

Bed base CF09.  
Patent protected

Sofa.  
Patent protected



LETTO +

DIVANO +

= PENELOPE 2  
SOFA - P.35

### TECHNICAL INFORMATION

Double-function transforming system with a tilting double bed featuring the patented CF09 slatted bed base (W 166 cm x D 208,4 cm and mattress W 160 cm x D 198 cm), tilting opening with safety mechanism to stop accidental opening and closing.

Tilting mechanism through gas springs and device that cushions movements, completely contained in the side of the structure, thanks to patented technology and special manufacturing.

The model, which is produced with depths 35 cm (with fabric bed headboard) or 62,3 cm (with wooden bed headboard, pillow compartment and shelves), is available in the Standard, Dining (table), Board (large desk), Sofa versions.

In the Sofa version of Penelope 2, when the bed is opened and the backrest cushions are removed, the patented sofa with pivoting structure moves back and slides under the bed.

The sofa is available with two types of armrests with differing dimensions (W 4 cm or 16 cm).

The seat is filled with non-deformable foam in differing densities and is upholstered with a layer of polyethylene terephthalate and pure cotton. The backrests are padded with piumafill and upholstered in pure cotton.

Removable covers with French stitching.

Penelope 2 Sofa is self-supporting.

Wooden structure with adjustable nylon feet.

Available mattresses - H cm 18, double mattress cm 160 x 198 kg 31-33, in versions springs, memory, memory 7 zones, memory deluxe, latex and mattresses complying with usa relevant regulations.

Mattress locking belts in nylon with fasteners in black nylon.

In the P35 version, upholstered stuffed headboard for the bed, fixed directly to the back panel through snaps, cleaning according to the fabric label.

H of bed base from the floor cm 33,7.

H of sofa seat from the floor cm 37,2.

Maximum capacity of the bed kg 300.

### AVAILABLE FINISHES

STRUCTURE - Melamine white, oak sabbia, oak moro, perla, tortora. Lacquered as per Cleicoloursystem.

BACK PANEL - Melamine white. Lacquered as per Cleicoloursystem.

FRONT - Melamine white, oak sabbia, oak moro, perla, tortora. Glossy white Dialux, white Dialux with grooves. Lacquered as per Cleicoloursystem.

SOFA COVER - Removable fabric and leather as per samples collection.