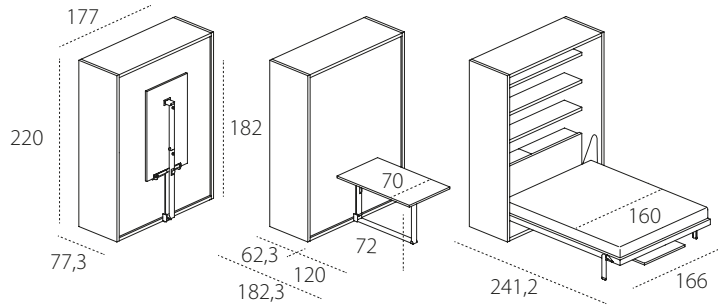




PENELOPE 2 DINING - P.62,3

Bed base CF09.
Patent protected

Dining.
Patent protected



LETTO



TESTATA
ATTREZZATA



TAVOLO

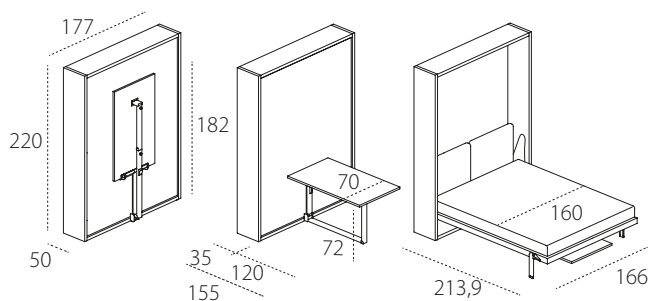


= PENELOPE 2
DINING - P.62,3

PENELOPE 2 DINING - P.35

Bed base CF09.
Patent protected

Dining.
Patent protected



LETTO



TAVOLO



= PENELOPE 2
DINING - P.35

TECHNICAL INFORMATION

Double-function transforming system with a tilting double bed featuring the patented CF09 slatted bed base (W 166 cm x D 208,4 cm and mattress W 160 cm x D 198 cm), tilting opening with safety mechanism to stop accidental opening and closing.

Tilting mechanism through gas springs and device that cushions movements, completely contained in the side of the structure, thanks to patented technology and special manufacturing.

The model, which is produced with depths 35 cm (with fabric bed headboard) or 62,3 cm (with wooden bed headboard, pillow compartment and shelves), is available in the Standard, Dining (table), Board (large desk), Sofa versions.

In the Dining version, Penelope 2 features a mechanised table (W 70 cm x D 120 cm x H 72 cm) which can perform a series of specific functions: tilting opening for the table function, vertical closing flushing against the wall to free up space and pivot function to enable it to be stored under the bedframe in the night-time position.

Penelope 2 Dining must be fixed to wall.

Wooden structure with adjustable nylon feet.

Available mattresses - H cm 18, double mattress cm 160 x 198 kg 31-33, in versions springs, memory, memory 7 zones, memory deluxe, latex and mattresses complying with usa relevant regulations.

Mattress locking belts in nylon with fasteners in black nylon.

In the P35 version, upholstered stuffed headboard for the bed, fixed directly to the back panel through snaps, cleaning according to the fabric label.

Table: Dimensions cm W 70 x D 120 x H table from the floor cm 72.

H of bed base from the floor cm 33,7.

Maximum capacity of the bed kg 300.

AVAILABLE FINISHES

STRUCTURE AND TABLE TOP - Melamine white, oak sabbia, oak moro, perla, tortora. Lacquered as per Cleicoloursystem.

BACK PANEL - Melamine white. Lacquered as per Cleicoloursystem.

FRONT - Melamine white, oak sabbia, oak moro, perla, tortora. Glossy white Dialux, white Dialux with grooves. Lacquered as per Cleicoloursystem.