

LGM 2.0 - Transforming system with double bed in the versions Book + fixed table/removable table - TV + fixed table/removable table - Doors

Patent protected

GENERAL TECHNICAL INFORMATION

Multifunctional transforming system for day and night, can stand alone or be integrated and coordinated with the elements of the Living & Young System program.

Version BOOK - BOOK + Fixed table - BOOK + Removable table

In these versions the system is organised as a bookcase with 5 shelves W 1746 mm - d 250 mm - Th 40 mm and with integrated table with tilting opening and foldaway legs, in the fixed versions (TF) and releasable (TR) for freestanding.

Version TV - TV + Fixed table - TV + Removable table

In these versions the system is organised for the TV with shelves and with integrated table with tilting opening and foldaway legs, in the fixed versions (TF) and releasable (TR) for freestanding. The front of the furniture is prepared for electrical wiring and for the installation of the TV.

Version DOORS

The system is organised with side shelves and compartment with hinged doors and internal shelves Th 22 mm.

- **Structure** in wood in the various finishes available with adjustable nylon feet
- **Mattresses** standard H 180 mm double bed 1500 x 1950 mm, weight 29-32 kg
Smart versions - smart memory - independent spring coils, 7-zone memory, deluxe memory.
For further information on mattresses, please refer to the pages dedicated to them in the price list.
- **Belts** adjustable mattress locking belts in nylon with black nylon release fasteners.
- **Maximum liftable load** (including mattress, set of bed linens/blankets and pillows): 70 kg.

- Standard finishes:

Structure:	Melamine white, perla, graphite, walnut, oak sabbia, oak moro and lacquered as per Cleicoloursystem
Swivel element	Melamine white, perla, graphite, walnut, oak sabbia, oak moro and lacquered as per Cleicoloursystem, wavy walnut wood N.B.: the swivel element includes, in addition to the front, also the base and top, that can follow the colour choice of the front or of the structure.
Wall back	Melamine white
Shelves Th. 40	Melamine white, perla, graphite, walnut, oak sabbia, oak moro and lacquered as per Cleicoloursystem, wavy walnut wood
Wood door	Melamine white, perla, graphite, walnut, oak sabbia, oak moro and lacquered as per Cleicoloursystem, wavy walnut wood
Fixed and removable table top:	Melamine white, perla, walnut, oak sabbia, oak moro and lacquered as per Cleicoloursystem, wavy walnut wood
Extractable table tops:	Melamine white, graphite and walnut

LGM 2.0: technological innovation

- **Bed base** in iron tube H 60 mm, epoxy painted aluminium in grey, with curved beech plywood slats mounted to the frame with nylon/rubber gaskets, adjustable in height.
Bed base weight 35 kg
- **Pull-out night tablets**, push-pull opening, integrated in the bed base with opening, push-pull and lock in opening.
- **Folding mechanism** with dampened gas springs for controlled opening. With a simple rotating movement, it transforms itself into a ready-to-use double bed.
- **Swivel element** with rotation system on the carriage and with adjustable wheels and lever handle with upper and lower hooks for alignment of the front.
- **Table integrated fixed and removable** for freestanding W 1550 mm x D 66 mm x H 720 mm fixed - H 740 removable. Opening of the tilting opening and foldaway legs.
- **Preparation for TV** power supply wiring
- **LED lights** recessed in the vertical long profiles with switch.
- **USB sockets** optional to insert in the side panels with possibility of use in both day and night versions.

N.B.: made-to-measure sizes are not possible

WARNINGS: Assembly and Safety



THIS MODEL MUST BE FIXED TO THE WALL

This product is delivered disassembled and provided with specific assembly instructions.

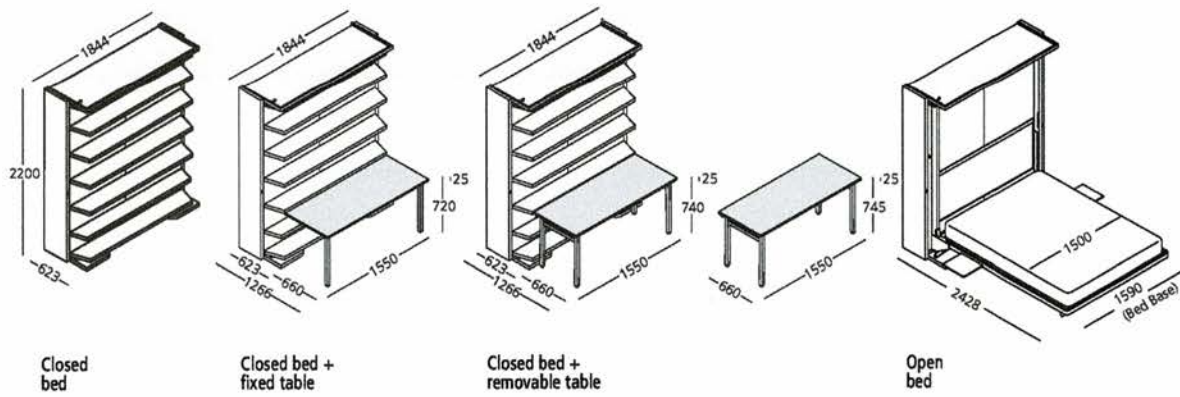
The product must be anchored to intact and resistant walls using 4 anchor points and must stand on perfectly level floors.

A hardware kit is provided for assembly, but it does not include wall plugs which, in order to guarantee safety, must be chosen by the installer based on the type of wall or partition where the product is to be installed, and which the manufacturer does not know.

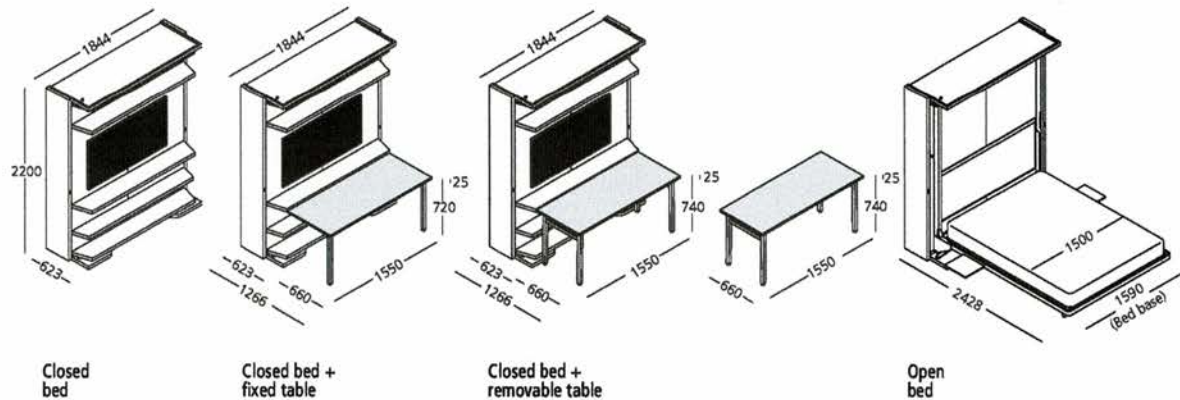
The installer is fully responsible for correctly assembling and testing the product.

For further specific remarks, please refer to page 15 of this price list and to the instruction manual supplied with the product in the packaging. Maximum capacity for each shelf 10 kg equally distributed.

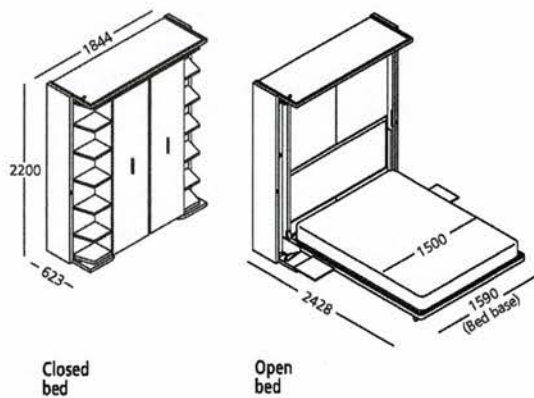
LGM 2.0 BOOK + Fixed table + Removable table



LGM 2.0 TV + Fixed table + Removable table

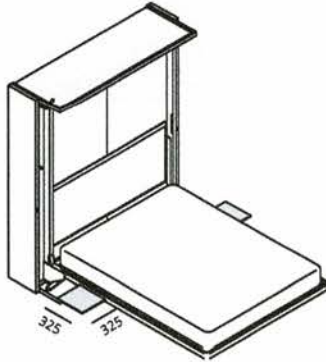


LGM 2.0 DOORS

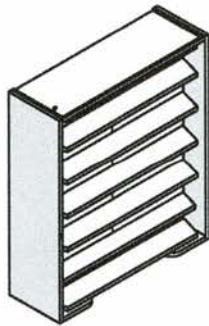


Night tablets

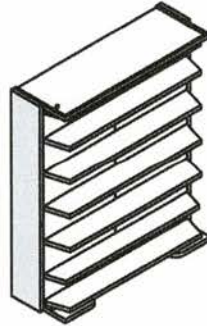
Pull-out night tablets, integrated into the long profiles of the bed base. Push-pull opening and lock in opening. Melamine Anthracite - Walnut finish
Dimensions: W 325 mm x D 325 x Th10

**Sides:**

Dual lengths 350 mm and 623 mm to match with depth of the Living & Young system elements



Sides D 623 mm

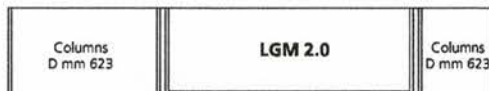


Sides D 350 mm

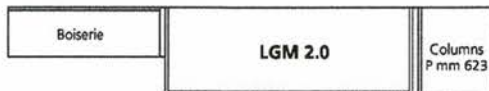
Design guide, Composition and integration with the Living & Young System program

Combination examples

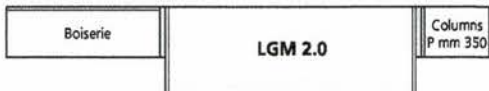
1 - Columns D 623 mm - side D 623 mm



2 - Boiserie D 309 mm - side D 350 mm Column
D 623 mm - side D 623 mm

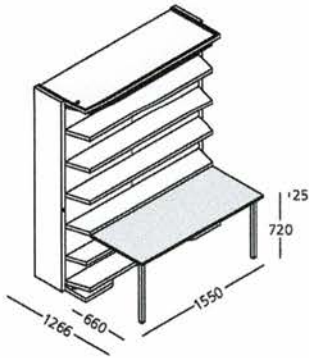


3 - Boiserie D 309 mm or column D 350 mm - side D 350 mm

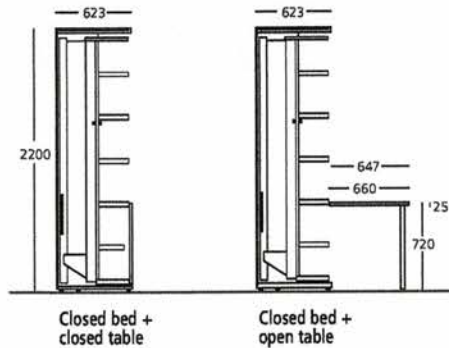


FIXED FLAP-DOWN TABLE (TABLE) TECHNICAL FEATURES

Lift opening table top with gas springs, foldaway legs, metal epoxy painted legs in grey aluminium.
Capacity:35 kg equally distributed.

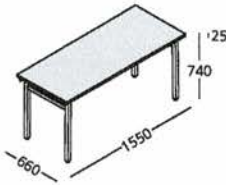
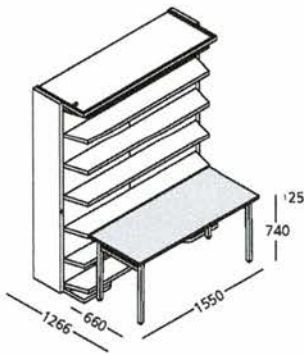


Section

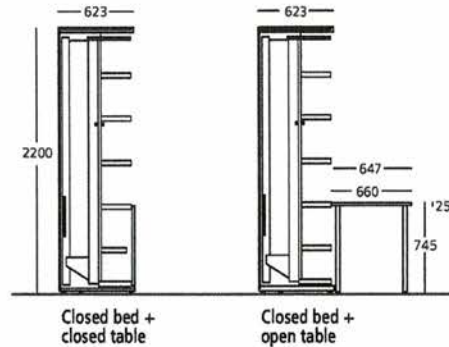


REMOVABLE FLAP-DOWN TABLE (FREE TABLE) TECHNICAL FEATURES

Lift opening table top with foldaway metal legs, release mechanism with integrated safety system, for freestanding metal epoxy painted table legs in grey aluminium.
Capacity:35 kg equally distributed.



Section



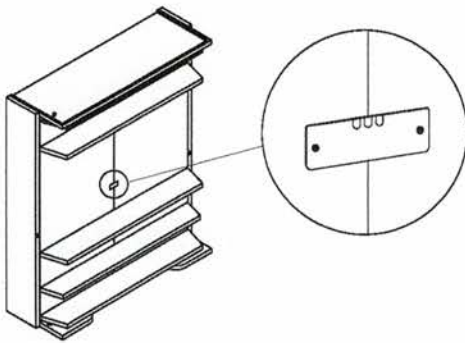
PREPARATION FOR CABLE PASSAGE

Max no. cables:3
Standard for model LGM 2.0 TV, on request with surcharge for models LGM 2.0 Book and Doors.

LGM 2.0 TV - DETAIL

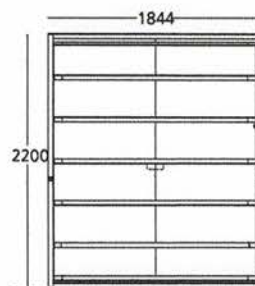
Detail of preparation for cable passage

View



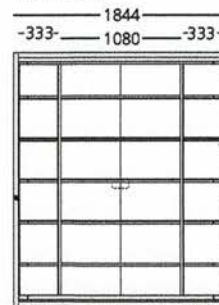
Central output with closing plate.

LGM 2.0 BOOK
Front view



Output under central shelf with closing plate.

LGM 2.0 DOORS
Front view

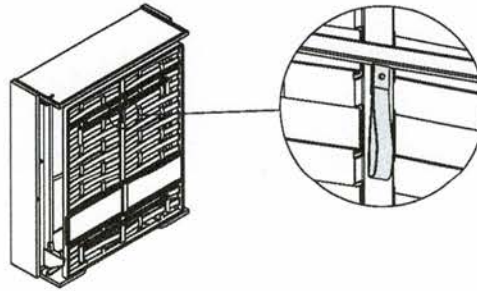


Output under central shelf with closing plate.

LGM 2.0 - Accessories

Handle in hide

Optional for easing the lowering of the bed Handle in black hide
Dimensions: W 210 mm

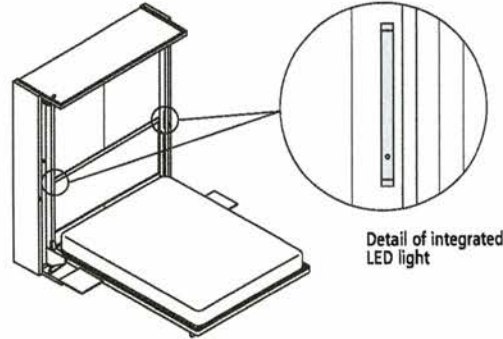


Internal LED light

Made with opaline polycarbonate profiles, compliant with regulation EN62471, as part of the "risk-free" category that ensures unlimited maximum safety.
LED 3000°K 1,43 W IP40 108/118 Lm/W EEC A+

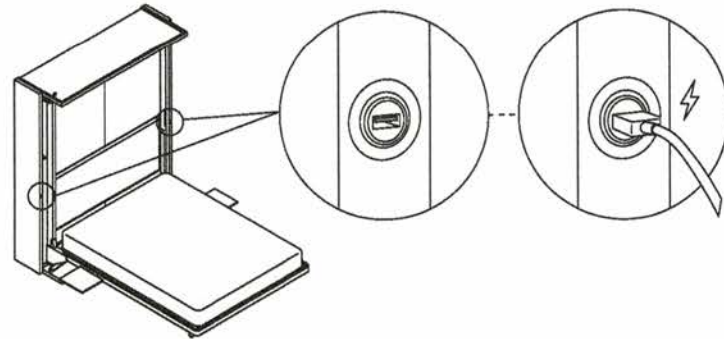


Dimensions W 12 x D 1 x H 200 mm



Pair of USB sockets

Optionally inserted in the sides of the bed, they can be used for charging devices, both with the bed closed and in daily activity, with the open bed (100-240V - 5V/2A)



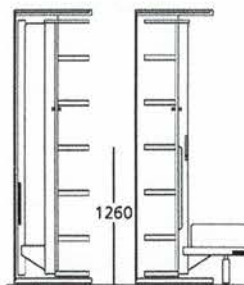
Soft padded headboard

Fabric headboard for padded bed, mounted directly to the backrest panel with press-studs.
Dacron upholstered, thickness 60 mm
Headboard dimensions: W 1540 x D 60 x H 660 mm

Tight padded headboard

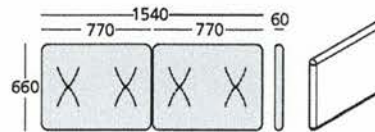
Fabric headboard with internal MDF support, fixed directly to the back panel with high strength velcro.
Foam padding, back covered with canvas, 30 mm thick.
Dimensions: W 1530 x D 30 x H 760 mm

Section

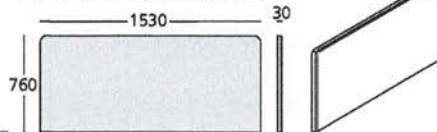


Closed bed Unit open bed with headboard

Soft headboard dimensions



Tight headboard dimensions



LGM 2.0 BOOK

LGM 2.0 BOOK

System organised with shelves W 1846 mm - D 250 mm - Th 40 mm

Dimensions:

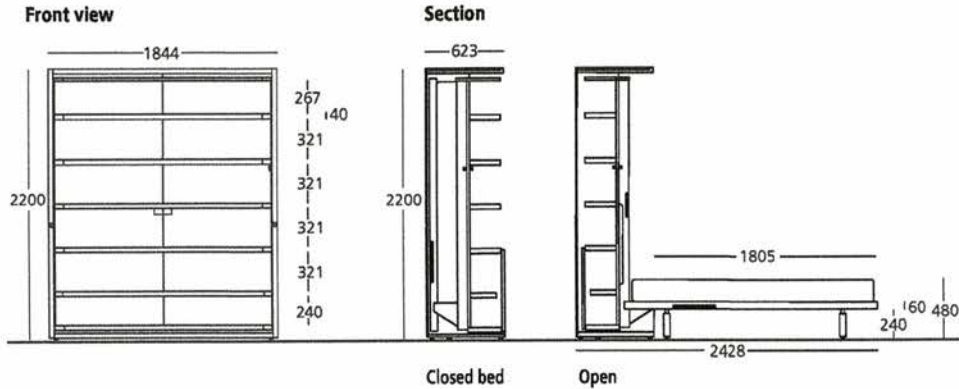
- Closed bed W 1844 x D 623 x H 2200 mm
- Open bed W 1844 x P 2428 x H 2200 mm
- Mattress W 1500 mm x D 1950 x H 180
- Weight 29-32 kg

Accessories:

- Padded headboard
- Handle in hide on the bed base
- LED lights
- Pair of USB sockets
- Mattress
- Surcharge for preparation for cable passage on the front

MUST BE MOUNTED TO THE WALL

N.B.: - The price of the structure also includes the pull-out night-tablets, always specify the finish
- Fixed shelves



* Melamine Colour:
Perla/Grafite/Walnut/
Oak Sabbia/Oak Moro

CLELGM2.0BOOK

	Code	Melamine White	Melamine Colour *	Lacquered	Walnut Wood
Finishes combinations for components					
Structure	GM2MST	STD	170	380	
2 sides D 350 mm	TGM2FIL3	STD	110	250	
Swivel element with bed base and pull-out night tablets	GM2BKSTCG	STD	155	760	1430
5 shelves Th 40 mm	GM2BKSTME	STD	110	350	1250
Total structure with sides D. 350 mm					
2 sides D. 623 mm	TGM2FIL6	210	380	640	
Total structure with sides D. 623 mm					

N.B.: - Prices do not include mattresses and textile parts.

LGM 2.0 - Price variations of sides

Specify right or left side

	Code	Melamine White	Melamine Colour *	Lacquered	
Side D 623 mm Th 40 mm	GM2FIL6D/S	105	190	320	
Side D 350 mm Th 40 mm	GM2FIL3D/S	STD	55	125	

LGM 2.0 BOOK + TABLE

LGM 2.0 BOOK with fixed table

MUST BE MOUNTED TO THE WALL

System organised as a bookcase with shelves and integrated table with lift opening of the top and 2 foldaway legs.
Table capacity: 35 kg equally distributed

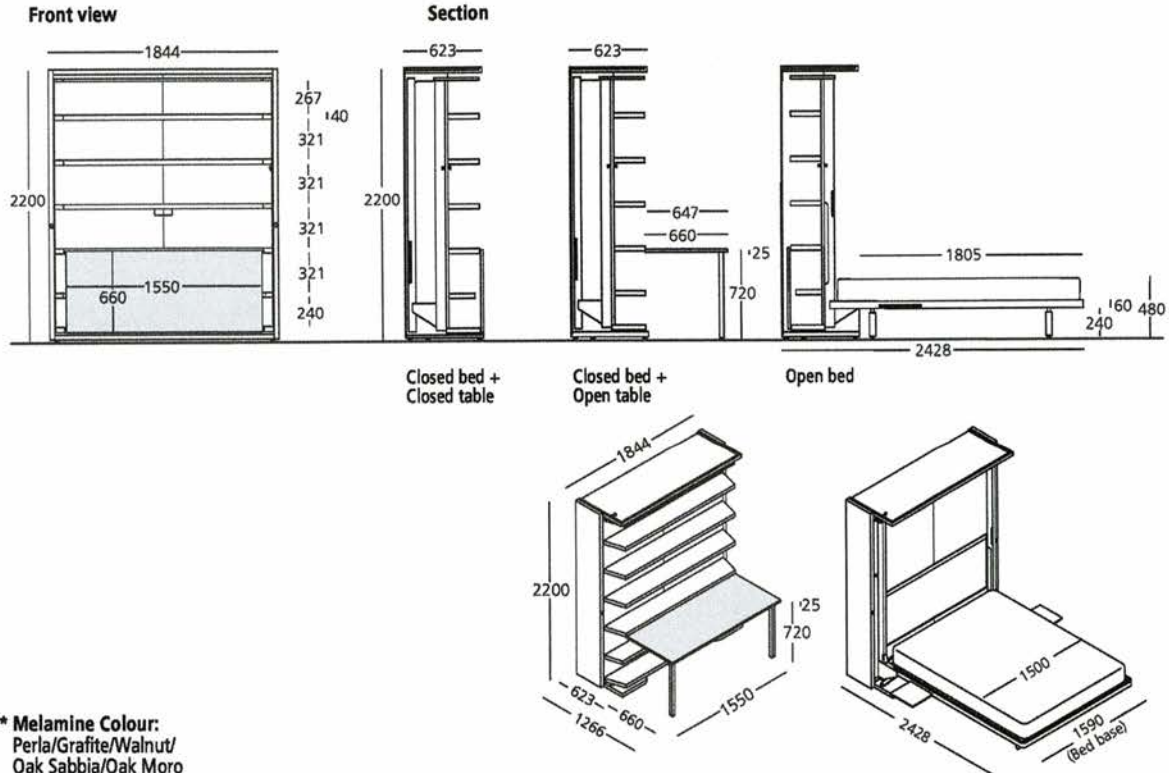
Dimensions:

- Closed bed	W 1844 x D 623 x H 2200 mm
- Closed bed	
+ Open table	W 1844 x D 1283 x H 2200 mm
- Open bed	W 1844 x D 2428 x H 2200 mm
- Table	W 1550 x D 660 x H 720 mm
- Mattress	W 1500 x D 1950 x H.180 mm
	Weight 29-32 kg

Accessories:

- Padded headboard
- Handle in hide on the bed base
- LED lights
- Pair of USB sockets
- Mattress
- Surcharge for preparation for cable passage on the front

N.B.: - The price of the structure also includes the pull-out night-tablets, always specify the finish
- Fixed shelves



* Melamine Colour:
Perla/Grafito/Walnut/
Oak Sabbia/Oak Moro

CLELGM2.0BOOKTF	Code	Melamine White	Melamine Colour *	Lacquered	Walnut Wood
Finishes combinations for components					
Structure	GM2MST	STD	170	380	
2 sides D 350 mm	TGM2FIL3	STD	110	250	
Swivel element with bed base and pull-out night tablets	GM2BKSTCQ	STD	155	760	1430
5 shelves Th 40 mm	GM2BKTFME	STD	110	350	1250
Fixed Flap-down table	GM2TAF	STD	150	170	205
Total structure with sides D. 350 mm					
2 sides D. 623 mm	TGM2FIL6	210	380	640	
Total structure with sides D. 623 mm					

N.B.: - Prices do not include mattresses and textile parts.

LGM 2.0 - Price variations of sides

Specify right or left side

	Code	Melamine White	Melamine Colour *	Lacquered		
Side D 623 mm Th 40 mm	GM2FIL6D/S	105	190	320		
Side D 350 mm Th 40 mm	GM2FIL3D/S	STD	55	125		

LGM 2.0 BOOK removable flap-down table

MUST BE MOUNTED TO THE WALL

System organised as a bookcase with shelves and integrated table with lift opening of the top and 4 foldaway legs, unhooking mechanism for freestanding table.

Table capacity: 35 kg equally distributed

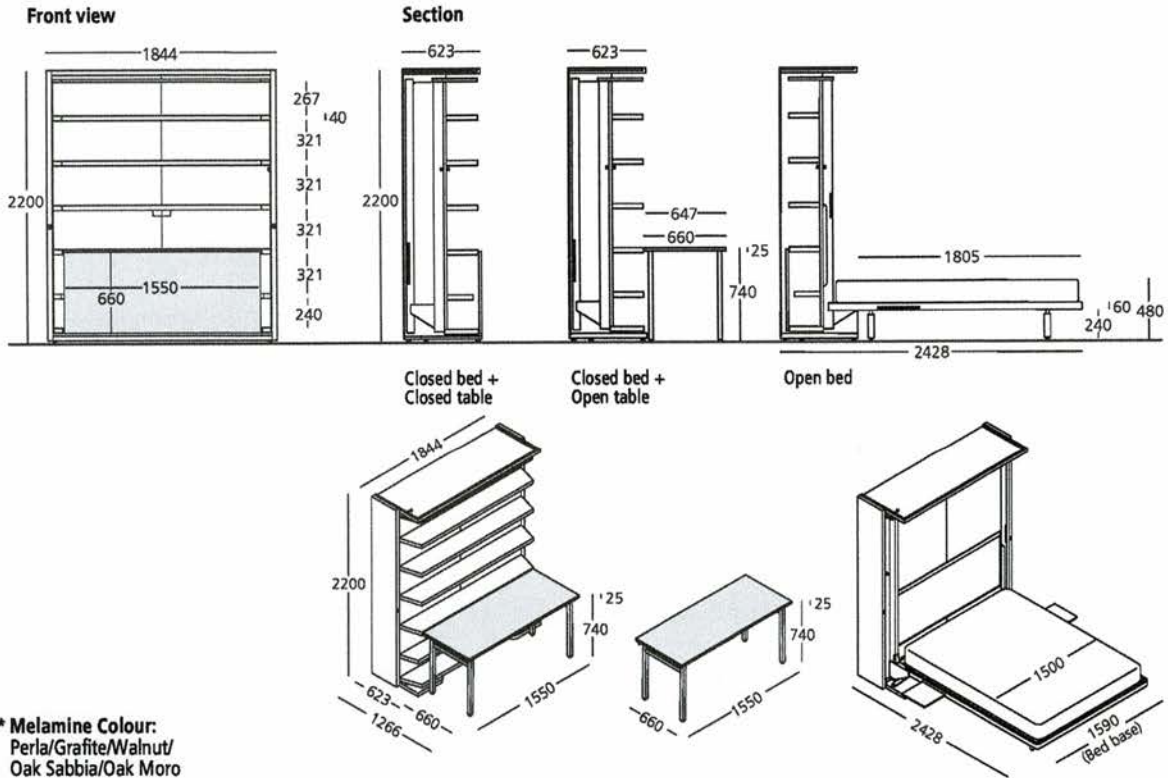
Dimensions:

- Closed bed W 1844 x D 623 x H 2200 mm
 - Closed bed + Open table W 1844 x D 1283 x H 2200 mm
 - Open bed W 1844 x D 2428 x H 2200 mm
 - Table W 1550 x D 660 x H 740 mm
 - Mattress W 1500 x D 1950 x H 180 mm
- Weight 29-32 kg

Accessories:

- Padded headboard
- Handle in hide on the bed base
- LED lights
- Pair of USB sockets
- Mattress
- Surcharge for preparation for cable passage on the front

N.B.: - The price of the structure also includes the pull-out night-tablets, always specify the finish
 - Fixed shelves



* Melamine Colour:
 Perla/Grafite/Walnut/
 Oak Sabbia/Oak Moro

CLELGM2.0BOOKTR	Code	Melamine White	Melamine Colour*	Lacquered	Walnut Wood
Finishes combinations for components					
Structure	GM2MST	STD	170	380	
2 sides D 350 mm	TGM2FIL3	STD	110	250	
Swivel element with bed base and pull-out night tablets	GM2BKSTCG	STD	155	760	1430
5 shelves Th 40 mm	GM2BKTRME	STD	110	350	1250
Removable flap-down table	GM2TAR	STD	150	170	205
Total structure with sides D. 350 mm					
2 sides D. 623 mm	TGM2FIL6	210	380	640	
Total structure with sides D. 623 mm					

N.B.: - Prices do not include mattresses and textile parts.

LGM 2.0 - Price variations of sides

Specify right or left side

	Code	Melamine White	Melamine Colour*	Lacquered	
Side D 623 mm Th 40 mm	GM2FIL6D/S	105	190	320	
Side D 350 mm Th 40 mm	GM2FIL3D/S	STD	55	125	



LGM 2.0 TV

LGM 2.0 TV

System organised for TV with shelves W 1746 mm - D 250 mm - Th 40 mm
TV dimensions (") max 65" - Weight 30 kg.

Dimensions:

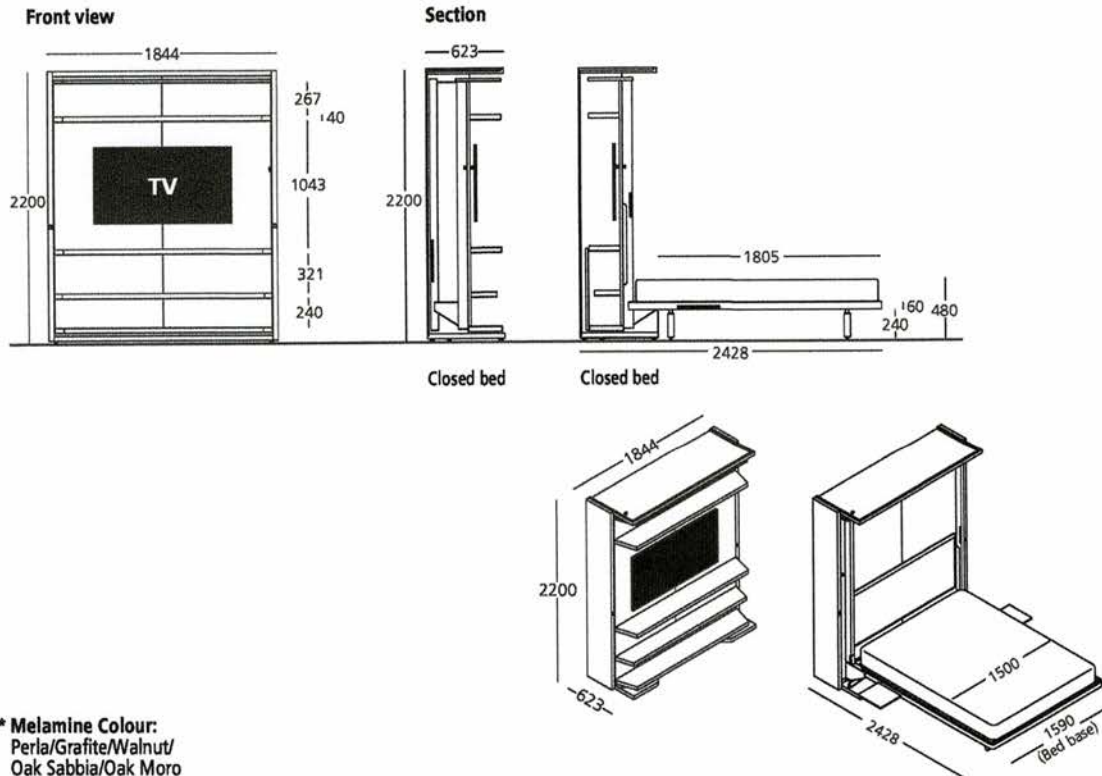
- Closed bed	W 1844 x D 623 x H 2200 mm
- Open bed	W 1844 x D 2428 x H 2200 mm
- Mattress	W 1500 x D 1950 x H 180 mm
	Weight 29-32 kg

Accessories:

- Padded headboard
- Handle in hide on the bed base
- LED lights
- Pair of USB sockets
- Mattress

MUST BE MOUNTED TO THE WALL

N.B.: - The price of the structure also includes the pull-out night-tablets, always specify the finish
- Fixed shelves



* Melamine Colour:
Perla/Grafite/Walnut/
Oak Sabbia/Oak Moro

CLELGM2.0TV	Code	Melamine White	Melamine Colour *	Lacquered	Walnut Wood
Finishes combinations for components					
Structure	GM2MST	STD	170	380	
2 sides D 350 mm	TGM2FIL3	STD	110	250	
Swivel element with bed base and pull-out night tablets	GM2TVSTCG	STD	130	190	1450
3 shelves Th 40 mm	GM2TVSTME	STD	70	210	750
Total structure with sides D. 350 mm					
2 sides D. 623 mm	TGM2FIL6	210	380	640	
Total structure with sides D. 623 mm					

N.B.: - Prices do not include mattresses and textile parts.

LGM 2.0 - Price variations of sides

Specify right or left side

	Code	Melamine White	Melamine Colour *	Lacquered	
Side D 623 mm Th 40 mm	GM2FIL6D/S	105	190	320	
Side D 350 mm Th 40 mm	GM2FIL3D/S	STD	55	125	

LGM 2.0 TV + TABLE

LGM 2.0 TV with fixed table

MUST BE MOUNTED TO THE WALL

System organised for TV with shelves and integrated table with lift opening of the top and 2 foldaway legs.
Table capacity: 35 kg equally distributed
TV dimensions (") max 65" - Weight 30 kg.

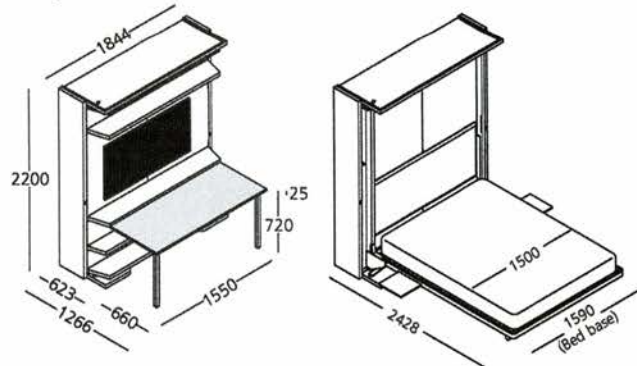
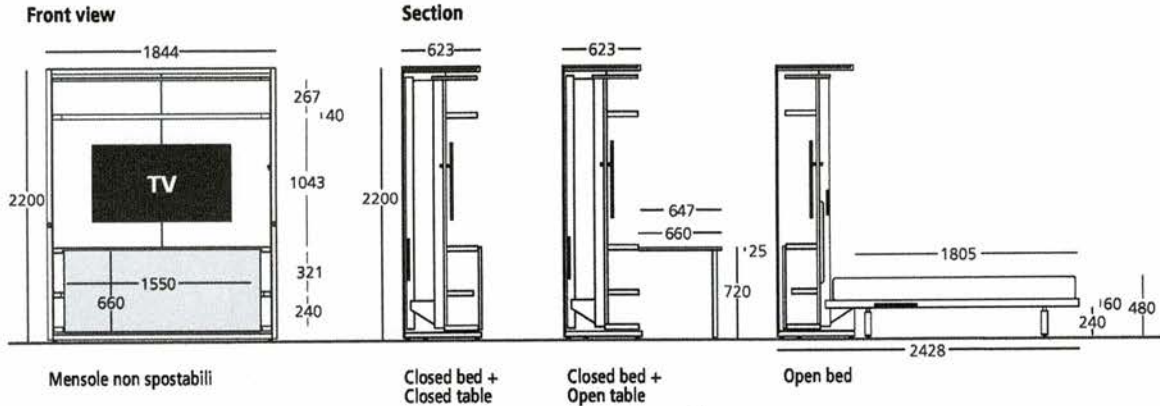
Dimensions:

- Closed bed	W 1844 x D 623 x H 2200 mm
- Closed bed	
+ Open table	W 1844 x D 1283 x H 2200 mm
- Open bed	W 1844 x D 2428 x H 2200 mm
- Table	W 1550 x D 660 x H 720 mm
- Mattress	W 1500 x D 1950 x H 180 mm
	Weight 29-32 kg

Accessories:

- Padded headboard
- Handle in hide on the bed base
- LED lights
- Pair of USB sockets
- Mattress

N.B.: - The price of the structure also includes the pull-out night-tablets, always specify the finish
- Fixed shelves



* Melamine Colour:
Perla/Grafite/Walnut/
Oak Sabbia/Oak Moro

CLELGM2.0TVTF	Code	Melamine White	Melamine Colour *	Lacquered	Walnut Wood
Finishes combinations for components					
Structure	GM2MST	STD	170	380	
2 sides D 350 mm	TGM2FIL3	STD	110	250	
Swivel element with bed base and pull-out night tablets	GM2TVSTCG	STD	130	190	1450
3 shelves Th 40 mm	GM2TVTFME	STD	70	210	750
Fixed Flap-down table	GM2TAF	STD	150	170	205
Total structure with sides D. 350 mm					
2 sides D. 623 mm	TGM2FIL6	210	380	640	
Total structure with sides D. 623 mm					

N.B.: - Prices do not include mattresses and textile parts.

LGM 2.0 - Price variations of sides

Specify right or left side

	Code	Melamine White	Melamine Colour *	Lacquered	
Side D 623 mm Th 40 mm	GM2FIL6D/S	105	190	320	
Side D 350 mm Th 40 mm	GM2FIL3D/S	STD	55	125	

LGM 2.0 TV + TABLE FREE

LGM 2.0 TV removable flap-down table

MUST BE MOUNTED TO THE WALL

System organised for TV with shelves and integrated table with lift opening of the top and 4 foldaway legs, unhooking mechanism for freestanding table.

Table capacity: 35 kg equally distributed

TV dimensions (") max 65" - Weight 30 kg.

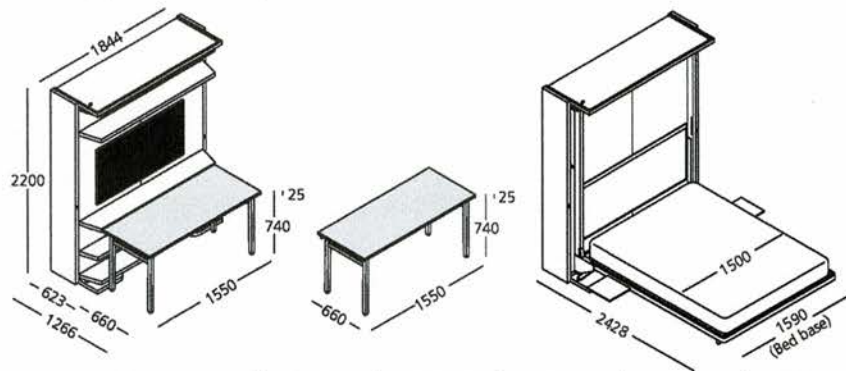
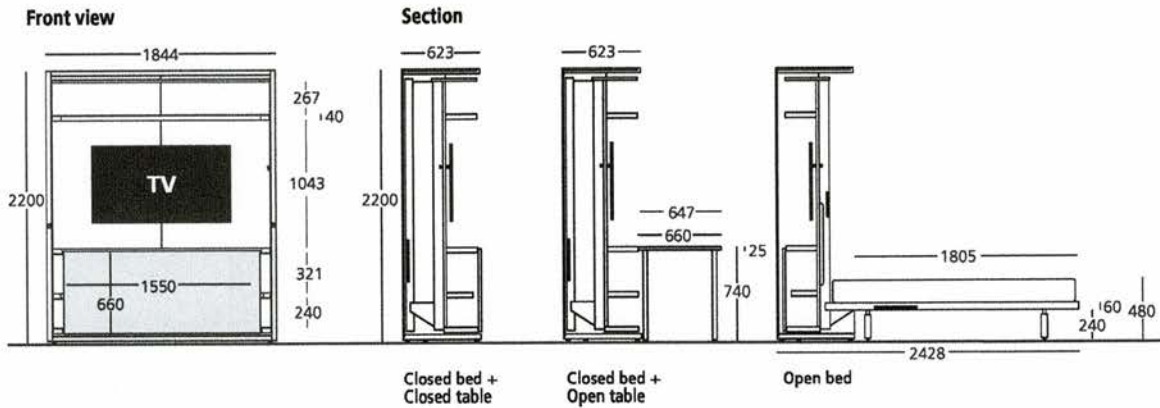
Dimensions:

- Closed bed	W 1844 x D 623 x H 2200 mm
- Closed bed	
+ Open table	W 1844 x D 1283 x H 2200 mm
- Open bed	W 1844 x D 2428 x H 2200 mm
- Table	W 1550 x D 660 x H 740 mm
- Mattress	W 1500 x D 1950 x H 180 mm
	Weight 29-32 kg

Accessories:

- Padded headboard
- Handle in hide on the bed base
- LED lights
- Pair of USB sockets
- Mattress

N.B.: - The price of the structure also includes the pull-out night-tablets, always specify the finish
- Fixed shelves



* Melamine Colour:
Perla/Grafite/Walnut/
Oak Sabbia/Oak Moro

CLELGM2.0TVTR	Code	Melamine White	Melamine Colour *	Lacquered	Walnut Wood
Finishes combinations for components					
Structure	GM2MST	STD	170	380	
2 sides D 350 mm	TGM2FIL3	STD	110	250	
Swivel element with bed base and pull-out night tablets	GM2TVSTCG	STD	130	190	1450
3 shelves Th 40 mm	GM2TVTRME	STD	70	210	750
Removable Flap-down table	GM2TAR	STD	150	170	205
Total structure with sides D. 350 mm					
2 sides D. 623 mm	TGM2FIL6	210	380	640	
Total structure with sides D. 623 mm					

N.B.: - Prices do not include mattresses and textile parts.

LGM 2.0 - Price variations of sides

Specify right or left side

	Code	Melamine White	Melamine Colour *	Lacquered	
Side D 623 mm Th 40 mm	GM2FIL6D/S	105	190	320	
Side D 350 mm Th 40 mm	GM2FIL3D/S	STD	55	125	

LGM 2.0 DOORS

LGM 2.0 DOORS

MUST BE MOUNTED TO THE WALL

System organised with side shelves and compartment with hinged doors and internal shelves.

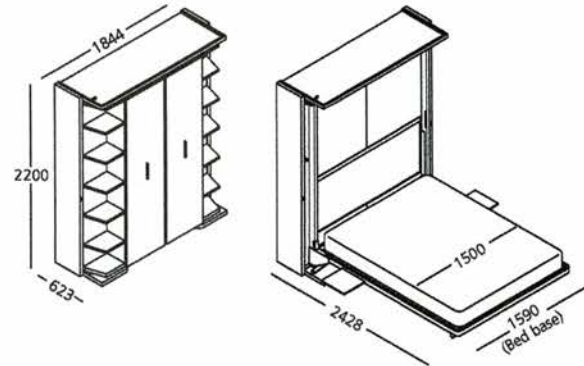
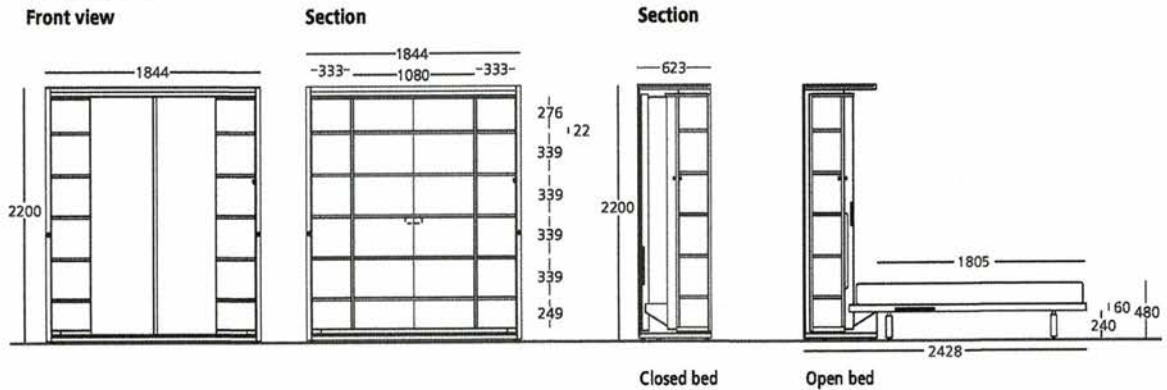
Dimensions:

- Closed bed W 1844 x D 623 x H 2200 mm
- Open bed W 1844 x D 2428 x H 2200 mm
- Mattress W 1500 x D 1950 x H 180 mm
- Weight 29-32 kg

Accessories:

- Padded headboard
- Handle in hide on the bed base
- LED lights
- Pair of USB sockets
- Mattress
- Surcharge for preparation for cable passage on the front

N.B.: - The price of the structure also includes the pull-out night-tablets, always specify the finish
- Fixed shelves



* Melamine Colour:
Perla/Grafite/Walnut/
Oak Sabbia/Oak Moro

CLELGM2.0DOORS	Code	Melamine White	Melamine Colour *	Lacquered	Walnut Wood
Finishes combinations for components					
Structure	GM2MST	STD	170	380	
2 sides D 350 mm	TGM2FIL3	STD	110	250	
Swivel element with bed base and pull-out night tablets	GM2DOSTCG	STD	155	760	1430
10 side shelves + 5 central shelves	GM2DOORME	STD	60	350	980
Front sides	GM2DOORFI	STD	30	155	450
Pair of doors with M22 handles applied	GM2DOLEAN	STD	50	350	910
Total structure with sides D. 350 mm					
2 sides D. 623 mm	TGM2FIL6	210	380	640	
Total structure with sides D. 623 mm					

N.B.: - Prices do not include mattresses and textile parts.
- the price of the complete product in the table envisages wooden doors with M22 handle applied

LGM 2.0DOORS - Price variations of wood doors with handles

Soft close.

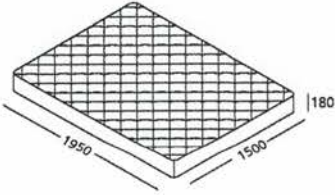
N.B.: Doors with M33 handle: double handle
Doors with W016 and W032 handle: single handle on right door
Groove handle door 30: groove handle left door, specify otherwise

	Code	Melamine White	Melamine Colour *	Lacquered	Walnut Wood
Pair of doors with M33 handle	GM2DOLEAN	STD	STD	STD	STD
Pair of doors with W016 handle	GM2DOLEAN	STD	STD	STD	STD
Pair of doors with W032 handle	GM2DOLEAN	STD	STD	STD	STD
Pair of doors with groove handle 30	GM2DOGVAN	170	240	500	

LGM 2.0 - Accessories

Double mattress

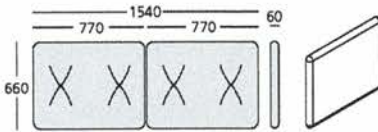
Dimensions: W 1500 x D 1950 x H 180 mm - Weight 29 - 32 Kg



Versions	SMART Spring	SMART Memory Basic	Memory independent spring coils	7 Zone Memory	Deluxe Memory
Code	B	M	P	7	D
VMLGM2					

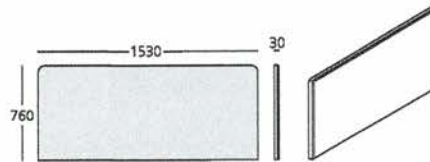
Double bed Soft padded headboard

Dimensions: W 1540 x D 60 x H 660 mm



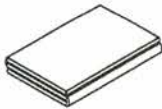
Double bed Tight padded headboard

Dimensions: W 1530 x D 30 x H 760 mm



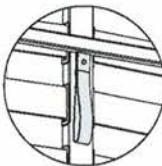
	Length required		Versions	Fabric Cat. 1	Fabric Cat. 2	Fabric Cat. 3	Fabric Cat. 4	Leather
	Fabric	Leather						
	Ml. H.1,40	m ²	Code					
Soft padded headboard	2,20	-	TMGM2S	590	690	850	950	
Tight padded headboard	1,80	3,00	TMGM2T	390	450	550	650	850

Double bedspread with elastics on corners



	Length required		Versions	Fabric Cat. 1	Fabric Cat. 2	Fabric Cat. 3	Fabric Cat. 4
	Fabric	Leather					
	Ml. H.140	m ²	Code				
	6,00		CMGM	650	890	1150	1150

Handle in hide on the bed base



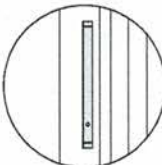
Code					
GMMANCU	STD				

Pair of internal LED lights with integrated switch

LED 3000°K 1,43 W IP40 108/118 Lm/W EEC A+



Dimensions: W 12 x D 1 x H 200

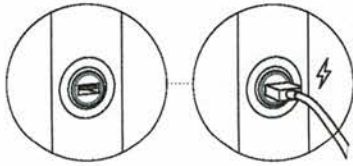


Code					
LUGM2C	450				

LGM 2.0 - Accessories

Pair of USB sockets

To insert on the front part of the sides To insert on the front part of the sides



Code

GM2USBF1

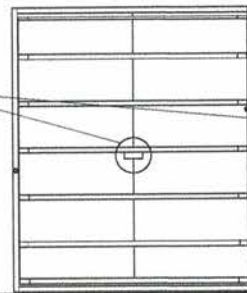
260

Surcharge for preparation of cable passage

Max no. cables:3

LGM 2.0 BOOK

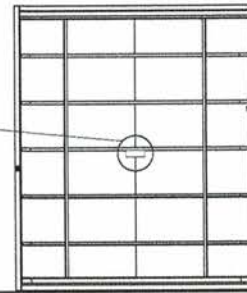
Front view



Output under central shelf
with closing plate.

LGM 2.0 DOORS

Front view



Output under central shelf
with closing plate.

Code

MAGMEL

60